

Modbus / Ethernet/IP Gateway

GT200-EI-2RS485

Quick Start Guide

V2.4



Contact Information

sales@sstcomm.com support@sstcomm.com

844-606-2886 +1-909-977-2988
(US & Canada) (International)

© 2021 SST Automation. All rights reserved.

Overview

The GT200-EI-2RS485 gateway is used to connect multiple Modbus RTU slave devices to the EtherNet/IP network.

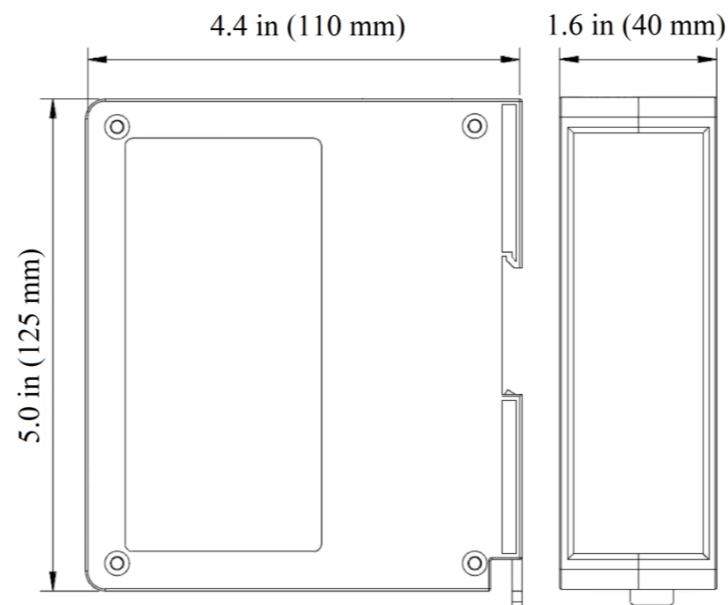
Package Checklist

- GT200-EI-2RS485 Gateway
- RJ45 Ethernet Cable

Dimensions

Size (W*H*D):

1.57 in * 4.92 in * 4.33 in / 40mm * 125mm * 110mm



Specifications

Power Input	24 VDC (9 V ~ 30 VDC) 90 mA (24 V DC)
Operation Temperature	-20°C ~ 60°C (-4°F ~ 140°F). Humidity: 5% ~ 95% (non-condensing).

Software Information

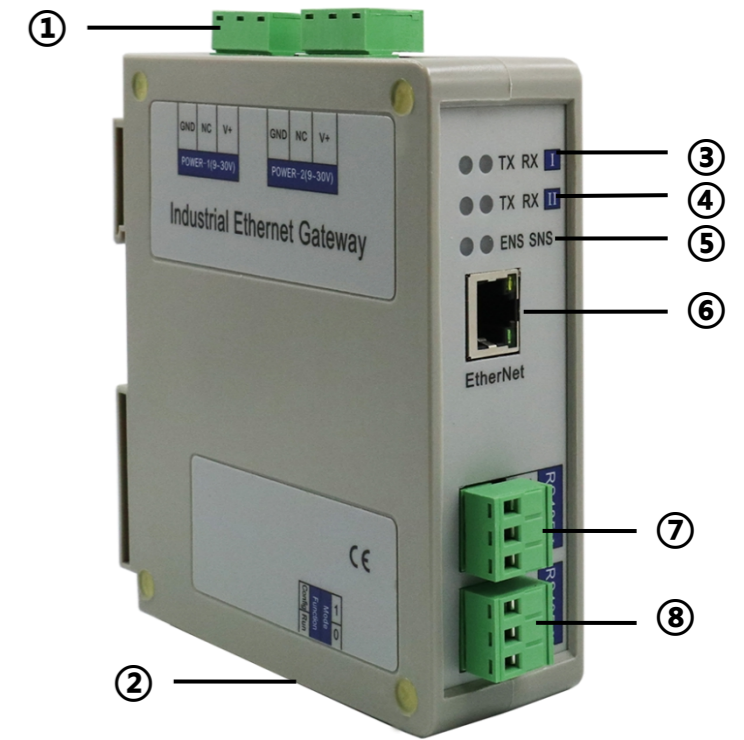
Please download the configuration software SST-GT-CFG from SST website:

www.sstcomm.com

Please refer to the user manual, software contents and technical notes for more details.

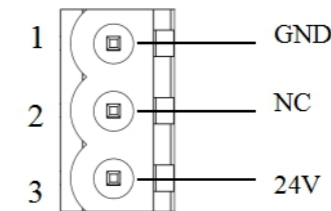


Product Appearance



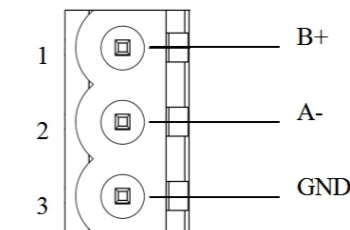
- ① Dual Power Interface
- ② Configuration Switch
- ③ Serial I Indicators
- ④ Serial II Indicators
- ⑤ Ethernet Indicators
- ⑥ Ethernet Interface
- ⑦ RS485 Interface I
- ⑧ RS485 Interface II

Power Interface



Pin	Signal
1	Power ground
2	Not connected
3	24V+, DC

RS-485 Interface



Pin	Function
1	B+, RS485 D+
2	A-, RS485 D-
3	GND

Configuration Switch

Mode (Bit 1)	Function (Bit 2)	Mode	Mode
Off	Off	Run mode	Allows upload/download of configuration.
Off	On	Run mode	Does not allow upload/download of configuration
On	On/Off	Config. mode	IP address is fixed at 192.168.0.10. Only read and write configuration data but cannot communicate between EtherNet/IP and Modbus RTU.

Note: To apply mode switching, please restart the gateway.

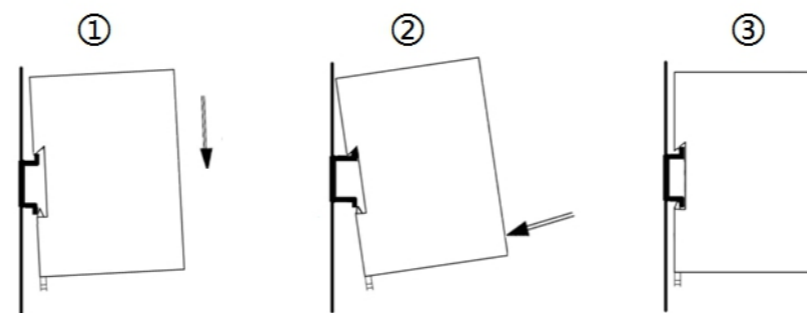
LED Indicators

LED	State	Description
ENS	Green On	EtherNet/IP connection is established
	Flashing Green	EtherNet/IP connection is not established
	Red On	IP Address conflict
	Flashing Red	EtherNet/IP connection timed out, or DHCP/BOOTP/IP address conflict detection
SNS	Green On	Modbus communication is normal.
	Red On	At least one Modbus channel response timed out, exception or error.
	Flashing, red and green alternately	Parts of the devices in a Modbus channel timed out, exception or error.
ENS & SNS (Orange*)	Simultaneously On	The gateway is starting up
	Flashing Alternately	Configuration mode
TX I/II	Green, flashing	Sending Modbus data
	OFF	No data sending
RX I/II	Green, flashing	Receiving Modbus data
	OFF	No data receiving

Quick Installation Guide

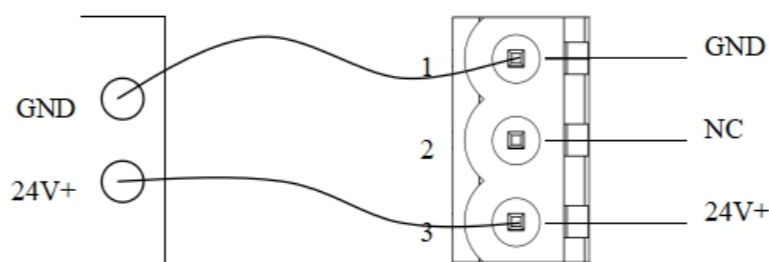
Hardware Configuration

1. Install the gateway on 35mm/ 13.8 in DIN Rail.



2. Connect the power to the power supply.

Please do not power on the devices before finishing and confirming all the connections.



Optional: Connect power supply II for backup redundancy.

3. Connect Modbus serial devices to the RS-485 interfaces.
4. Connect the GT200-EI-2RS485 with your computer via Ethernet cable.
5. With the configuration switches located on the bottom of the gateway, set both Bit 1 and Bit 2 to 0 (OFF).
6. Power on the GT200-EI-2RS485.

Software Configuration

Download, install, and run the configuration software, SST-GT-CFG.

For more details, see *Chapter 5* of the manual.

1. Upload the setting from the gateway by clicking “Upload.” Find the GT200-EI-2RS485 gateway on the list, select it and click “Log In”.

Note: If you cannot find the GT200-EI-2RS485 gateway, check your Hardware configuration or your network configuration.

This is a default configuration created by SST Automation. If you would like to create new configuration from the beginning simply click “New”.

2. Click “Ethernet” under the device window and configure the settings to your needs under the Configuration Window.
3. Click the Subnet of choice under the device window to configure the Subnet. (User Manual 5.4.2)
4. To add a Node, right click the Subnet you wish to add the Node to and proceed to click the “Add Node” operation.
Configure the node. (User Manual 5.4.3)
5. To add a Command, right click the Node you wish to add the Command to and proceed to click the “Add Command” operation. Double click on the Commands you wish to add to the Node and click OK.
Configure the command (User Manual 5.4.4)
6. Once configuration is complete, click “Download” to download your configuration into GT200-EI-2RS485. Find the gateway on the list, select it, and click “Log In”.
7. Test the communication.

For advanced configuration and debugging, please refer to the User Manual for GT200-EI-2RS485.