

Modbus/BACnetIP Gateway

GT200-BM-2RS

Quick Start Guide

V1.5



Contact Information

sales@sstcomm.com

support@sstcomm.com

844-606-2886
(US & Canada)

+1-909-977-2988
(International)

© 2021 SST Automation. All rights reserved.

Overview

The GT200-BM-2RS gateway is used to connect multiple Modbus RTU slave devices to the BACnetIP network.

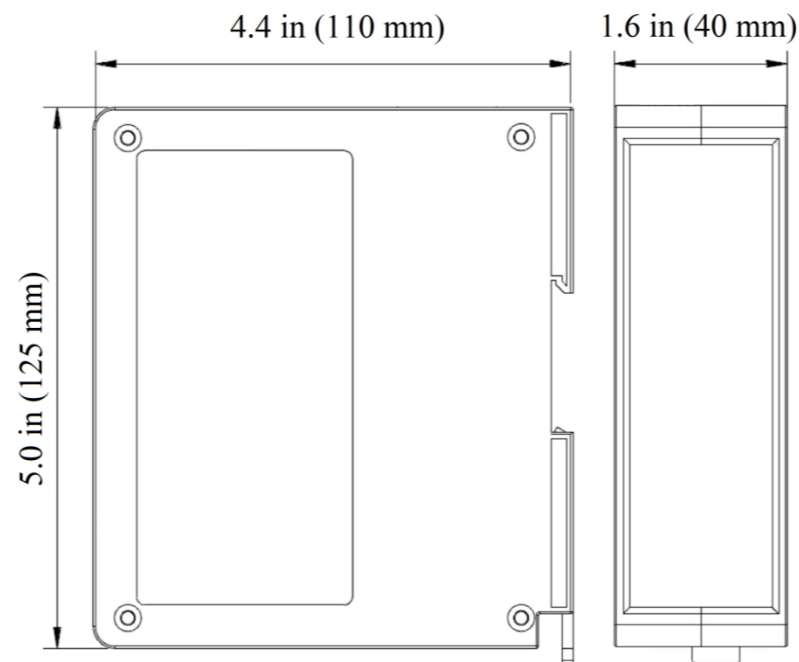
Package Checklist

- GT200-BM-2RS Gateway
- RJ45 Ethernet Cable

Dimensions

Size (W*H*D):

1.6 in * 5.0 in * 4.4 in (40 mm * 125 mm * 110 mm)



Specifications

Power Input	24 VDC (9V ~ 30 VDC)
Operation Temperature	-20°C ~ 60°C (-4°F ~ 140°F).
Humidity	Humidity: 5% ~ 95% (non-condensing).

Software Information

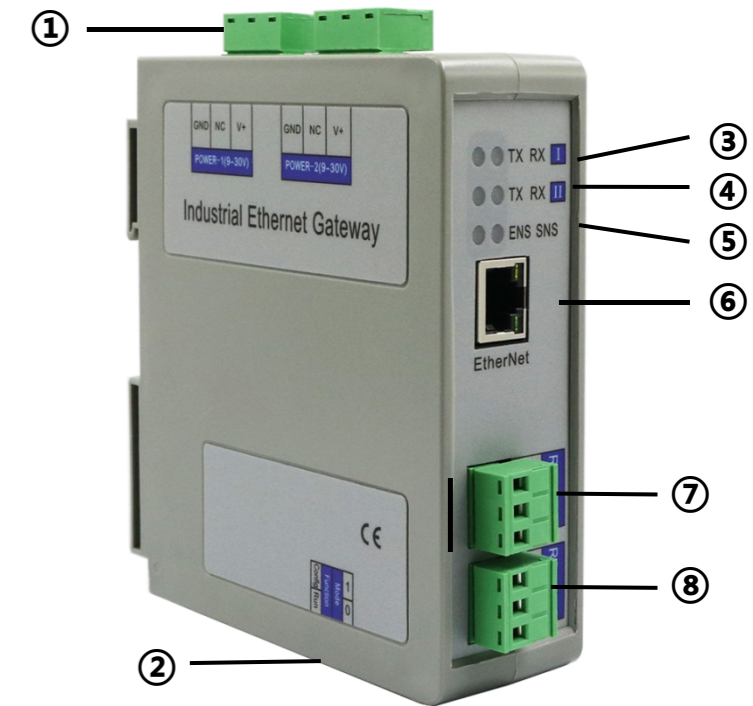
Please download the configuration software SST-BM-CFG from SST website:

www.sstcomm.com

Please refer to the user manual, software contents and technical notes for more details.

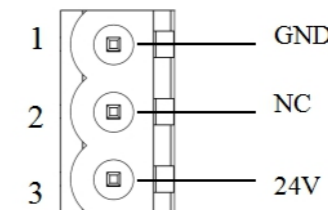


Product Appearance



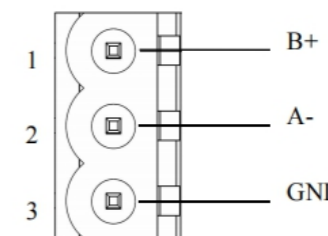
- ① Dual Power Interface
- ② Configuration Switch
- ③ Serial I Indicators
- ④ Serial II Indicators
- ⑤ Ethernet Indicators
- ⑥ Ethernet Interface
- ⑦ RS485 Interface I
- ⑧ RS485 Interface II

Power Interface



Pin	Description
1	Power ground
2	Not connected
3	24V+, DC

RS-485 Interface



Pin	Description
1	B+, RS485
2	A-, RS485
3	GND

Configuration Switch

Mode (Bit 1)	Function (Bit 2)	Mode	Description
Off	Off	Run	Allows to configure.
Off	On	Run	Does not allow to configure.
On	On/Off	Config	IP address is fixed at 192.168.0.188. Allows to configure but no data communication.

Note:

To apply mode switching, please restart the gateway.

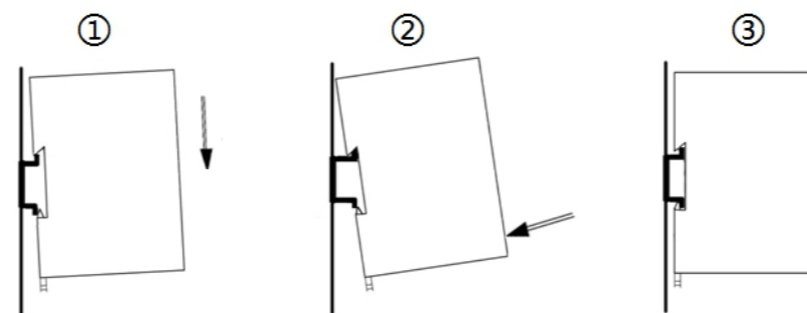
LED Indicators

LED	State	Description
ENS	Green On	BACnetIP connection is established
	Flashing Green	BACnetIP connection is not established
	Red On	IP Address Conflict
	Flashing Red	DHCP, BOOTP, IP address conflict detection
SNS	Green On	BACnetIP connection is established
	Flashing Green	BACnetIP connection is not established
	Flashing, red and green alternately	Use locating function (User Manual 5.4)
ENS&SNS (Orange)	Simultaneously On	The gateway is starting up
	Flashing Alternately	Configuration Mode
Serial I/II TX	Green, flashing	Serial data sending
	OFF	No serial data is sending
Serial I/II RX	Green, flashing	Serial data sending
	OFF	No serial data is sending

Quick Installation Guide

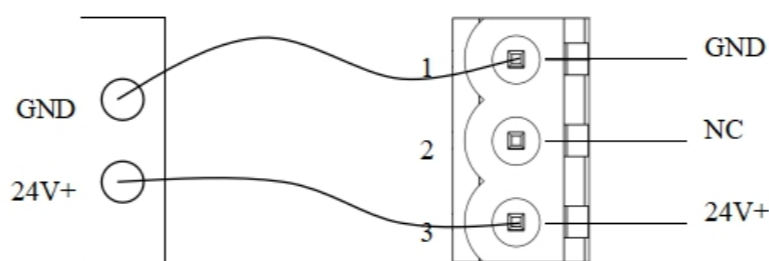
Hardware Connection

1. Install the gateway on 35 mm / 13.8 in DIN Rail.



2. Connect the power to the power supply.

Please do not power on the devices before finishing and confirming all the connections.



Optional: Connect power supply II for backup redundancy.

3. Connect Modbus serial devices using the RS-485 interfaces.
4. Connect the GT200-BM-2RS with your computer via Ethernet cable.
5. With the configuration switches located on the bottom of the gateway, set both Bit 1 and Bit 2 to 0.
6. Power on the GT200-BM-2RS.

Software Configuration

Download, install, and run the configuration software, SST-BM-CFG.

For more details, see *Chapter 5* of the manual.

1. Upload the setting from the gateway by clicking “Search

Equipment” on the left. Find the GT200-BM-2RS gateway on the list, click it and click “Configuration” on the left.

Note: If you cannot find the GT200-BM-2RS gateway, check your Hardware configuration or your network configuration.

This is a default configuration created by SST Automation. If you would like to create a configuration from the beginning simply click “New”.

2. Click “BACnet IP Server” under the Device Window and configure the settings to your needs under the Configuration Window.
3. Click the “Modbus Master” of choice under the Device window to configure the Modbus Master. (User Manual 5.3.2)
4. To add a node, right click the Modbus Master you wish to add the node to and proceed to click the “Add Node” operation.

Then configure the node. (User Manual 5.3.3)

5. To add a command, right click the node you wish to add the command to and proceed to click the “Add Command” operation. Double click on the commands you wish to add to the Node.

Configure the command (User Manual 5.3.3)

6. Once configuration is complete, click “Download” to download your configuration into GT200-BM-2RS.

Note: To reset GT200-BM-2RS, you can either disconnect it from power or remotely reset it in the SST-BM-CFG software: select it, and select Remote Reset.

7. Test the communication.

For more information, please refer to the User Manual for GT200-BM-2RS.